

YONGNUO
DIGITAL

YN560-TX

手动闪光灯控制器



使用手册

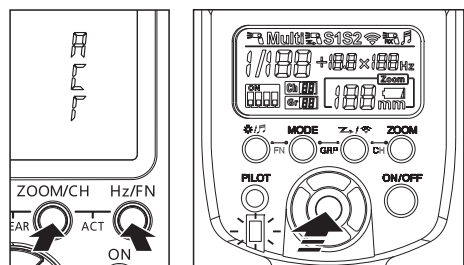
1.功能介绍

- 支持2013年1月后上市的所有永诺YN560 III闪光灯
- M/Multi两种闪光模式
- 多达6个分组的闪光输出及焦距遥控设置
- 兼容RF602/RF603/RF603II
- 16个频道
- 清晰大屏幕显示，操作快捷，易用
- 传输距离100米
- 支持RF603/RF603 II无线快门

❖ 使用前请通过YN560-TX激活YN560 III闪光灯的分组功能，即可通过控制器遥控各组闪光模式（闪光输出）及焦距设置，无需在闪光灯上进行操作，闪光灯显示屏将同步显示控制器对应分组设置的参数。

6.激活YN560 III闪光灯分组功能

- 1.)**设置通信模式及频道：**将YN560 III闪光灯设置为RX从属闪光模式，并使用与YN560-TX控制器相同的通信模式(RF602/RF603)及频道。
- 2.)**激活闪光灯分组功能：**同时按控制器的【ZOOM/CH】+【Hz/FN】按钮，控制器显示ACT(ACTIVATE)，在闪光灯的显示屏显示如图时，按闪光灯【OK】键，YN560 III闪光灯分组被激活。
- 3.)**设置闪光灯分组：**同时按闪光灯【MODE】+【触发方式】按钮设置闪光灯分组(A-F)。



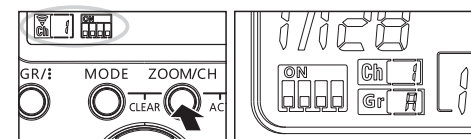
• 激活成功后，闪光灯显示屏将同步显示控制器对应分组设置的参数。

5.使用前准备

- 1) 安装2节AA电池。
- 2) 安装控制器于相机热靴。
- 3) 打开电源，电源指示灯亮。
- 4) 设置通信模式 (RF602/RF603)：
长按【Hz/FN】键，显示屏显示产品当前所兼容收发器的通讯模式，可设置为RF602或RF603，按【OK】键保存并退出。



- 5) 频道设置:长按【ZOOM/CH】键，显示屏上的频道和模拟拨码开关闪烁，将控制器与闪光灯设置在相同的频道。搭配RF602/RF603/RF603 II收发器使用时，收发器拨码开关状态需与模拟拨码开关设置一致。



11.无线引闪功能

1) 测试闪光

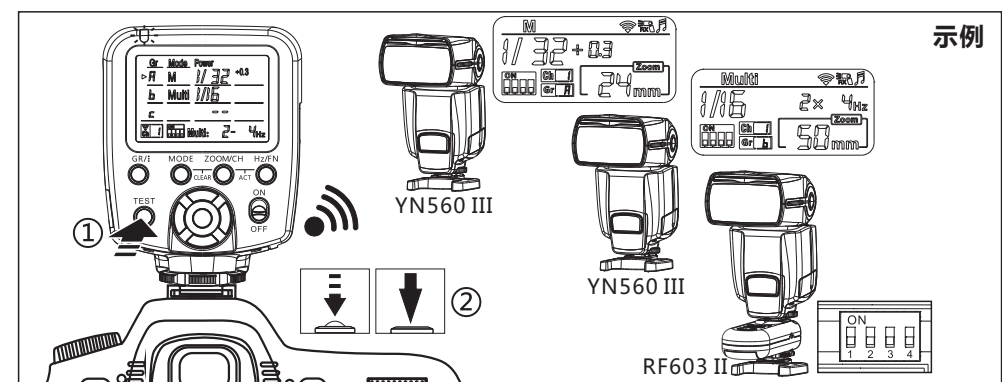
按控制器【TEST】按钮测试闪光。

2) 使用YN560-TX进行拍摄(无线引闪)

半按相机快门按钮，控制器发出唤醒信号，信号指示灯亮绿色，闪光灯信号指示灯亮蓝色。

全按相机快门释放按钮，YN560 III闪光灯根据YN560-TX控制器上设置的模式（闪光输出）闪光，控制器和闪光灯的信号指示灯亮红色，引闪RF602/RF603/RF603 II产品时，闪光输出需要在其闪光灯上手动设置。

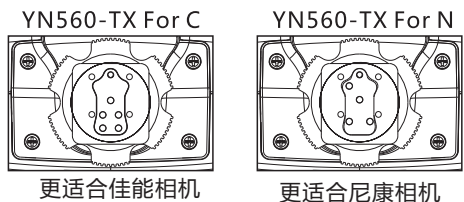
- 有关闪光灯上显示的设置，将以最后一次在闪光灯或控制器上的设置为准。



2.注意事项

- 连接或安装本产品时，请关闭所有设备电源。
- 请保持干燥，勿用湿手接触产品，亦不可将产品浸入水中或暴露雨中，否则可能引起无法正常使用，甚至损坏。
- 请勿在易燃易爆场合中使用，违反此警告可能引起爆炸或火灾。
- 本产品涉及电池，关于电池的使用请严格按照相关规定，否则会引起财产损失或人身伤害。

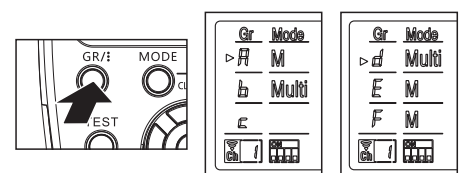
3.型号说明



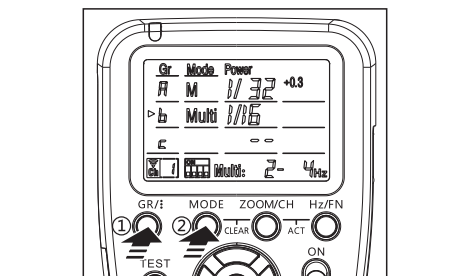
- 用于非专用的相机时，将不具备从相机唤醒闪光灯功能，引闪功能不受限制。

7.设置分组及闪光模式

- 1) 长按【GR/I】按钮切换A/B/C组页面或D/E/F组页面。



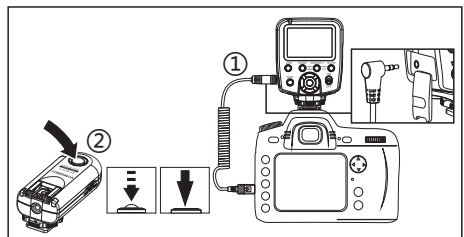
- 2) 短按【GR/I】按钮①选择分组，再按【MODE】按钮②，闪光灯模式将在M/Multi/--之间切换，--表示禁止该组闪光灯闪光。



12.无线遥控快门接收功能

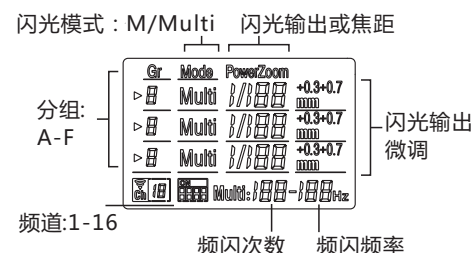
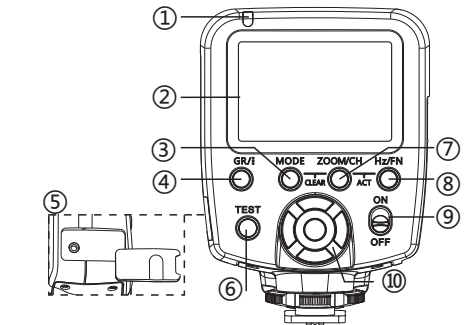
控制器支持使用相同频道的RF603/RF603 II收发器产品无线遥控快门。

- 1) 如图示，在相机快门插座与控制器之间使用快门连接线连接（LS-2.5系列）。
- 2) 半按手中收发器的多功能按钮，相机进行对焦动作，对焦指示灯亮(绿色)，完全按下按钮，相机进行拍摄动作，同时快门指示灯亮(红色)。



- 可同步引闪收发器上的闪光灯。
- RF603 II产品需设置在“TRX”状态。

4.各部位名称及说明



- ①**状态指示灯：**唤醒（对焦）时亮绿色，引闪（快门）时亮红色
- ②**显示屏：**清晰、直观地显示当前的功能状态
- ③**MODE：**设置闪光模式(M/Multi/--)
- ④**GR/I：**选择分组(A/B/C/D/E/F)
- ⑤**快门线接口：**连接快门线实现无线快门功能
- ⑥**测试按钮/电源指示灯：**打开电源即点亮电源指示灯，按下该按钮测试闪光。
- ⑦**ZOOM/CH：**短按设置变焦(24-105MM)，长按设置频道(1-16)
- ⑧**Hz/FN：**短按设置频闪次数或频闪频率，长按设置通信模式(RF602/RF603)
- ⑨**电源开关：**ON为开，OFF为关
- ⑩**选择/设置按钮组：**设置各种参数，【左】为减小参数，【右】为增加参数，【上】【下】为微调，中间的【OK】键确认。

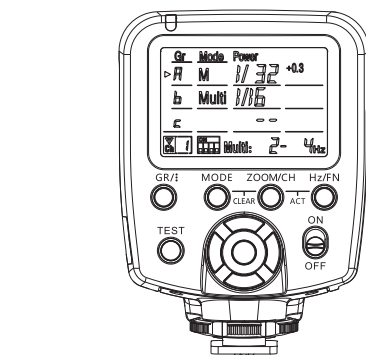
8.设置当前分组闪光输出

M模式：

按【左】【右】按钮可以对该组闪光输出调节，范围1/128-1/1，按【上】【下】按钮进行每档的微调(+0.3,+0.7)。

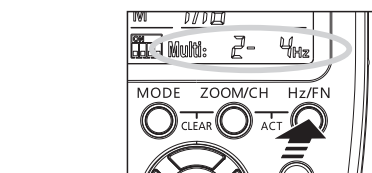
Multi模式：

闪光输出范围是1/128-1/4。



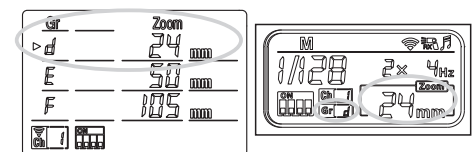
9.设置频闪频率及闪光次数

Multi模式下，短按【Hz/FN】键切换选择设置闪光频率和闪光次数。



10.设置各分组焦距

短按【ZOOM/CH】按钮进入该组焦距设置模式，支持设置的范围24-105MM,再短按【ZOOM/CH】按钮或【OK】按钮保存并返回。



13.故障排除

1.无法引闪闪光灯

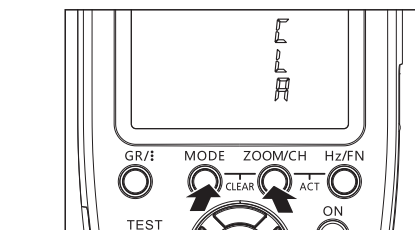
- 1) 检查控制器与闪光灯（接收器）是否为相同的通讯模式。
- 2) 检查控制器与闪光灯（接收器）是否为相同的频道。

2.无法设置YN560 III上的闪光灯分组

使用YN560-TX重新激活YN560 III闪光灯分组。

14.恢复出厂设置

同时按【MODE】与【ZOOM/CH】按钮直至屏幕出现CLA(CLEAR)，控制器恢复出厂设置。



15.规格参数

类型：FSK 2.4G无线控制器

距离：100M

无线频道：16

闪光模式：M/Multi

分组控制：A/B/C/D/E/F

变焦范围：24-105MM

快门接口：2.5mm快门接口

电池类型：AA*2

待机时间：120小时

体积：70mm*97.5mm*43mm

重量：98克

本手册中的功能是根据本公司的测试条件获得。设计和规格如有变更，恕不另行通知。

本手册中的永诺(YONGNUO)徽标是深圳市永诺摄影器材股份有限公司在中国或/和其他国家(地区)的注册商标。其他所有商标均为其各自所有者拥有。

YONGNUO
DIGITAL

YN560-TX
Manual Flash Controller



User Manual

1.Features

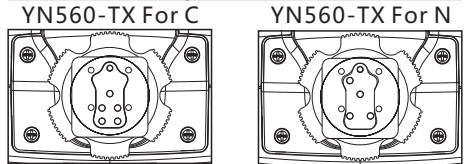
- Supports all the YONGNUO YN560 III Flashes Released since January of 2013
- Two Flash Modes: M/Multi
- Remote control of Flash Output and Zoom per group, up to 6 groups.
- Compatible with RF602/RF603/RF603 II
- 16 Channels
- Large and Clear Screen, User Friendly Interface.
- Transmission Range: 100 Meters.
- Wireless Shutter Receiver of RF603/RF603 II

❖ Please activate the group function of YN560-III with YN560-TX before use, and then remote control the flash mode (flash output) and zoom setup of each group with this controller YN560-TX. It's no need to operate directly on the flash. The flash screen will synchronously display the parameter which is set on the corresponding group of the controller.

2. Cautions

- Before this product is connected or installed, please turn off the power of all the associated equipment.
- Keep this product dry. Do not touch it with wet hands, and do not immerse it into water or expose it in the rain. If not, it may work abnormally or damaged.
- Do not use this product in inflammable and explosive places. If not, it may cause fire or explosion.
- This product involves batteries. Refers to the use of batteries, please strictly comply with relevant regulations. If not, it may cause property damage or personally injury.

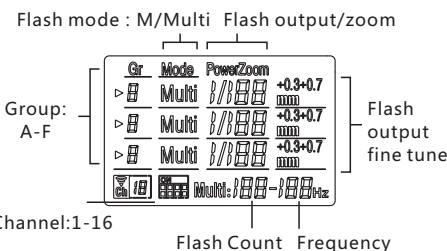
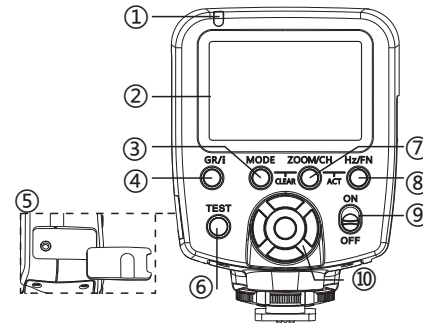
3.Model Description



More suitable for Canon cameras More suitable for Nikon cameras

- When this controller is used for non-dedicated cameras, it won't support waking the flash up from the camera, and the triggering function will be unrestricted.

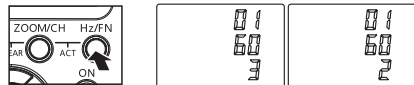
4.Parts and Explanations



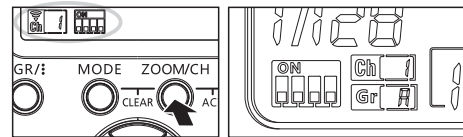
- ① **Status indicator light:** Green light when waking up (focusing); red light when triggering (shutter).
- ② **Display screen:** Displays the current functions status clearly and visually.
- ③ **MODE:** To set flash modes (M/Multi/- -).
- ④ **GR/I:** To elect groups (A/B/C/D/E/F).
- ⑤ **Interface for shutter release:** To implement wireless shutter release function with a shutter release cable connected.
- ⑥ **Test button/Power indicator light:** When turns on the power, the power indicator light will light on; press this button to test flash.
- ⑦ **Zoom/CH:** Short press this button to adjust zoom settings (24-105MM); long press this button to set channels (1-16).
- ⑧ **Hz/FN:** short press this button to adjust multi flash count or multi flash frequency; long press this button to set communication modes (RF602/RF603).
- ⑨ **Power switch:** ON/OFF.
- ⑩ **Select/Setup button group:** To set various parameter, [LEFT] button is to reduce, [RIGHT] button is to increase, [UP] button or [DOWN] button is to fine tune, and [OK] button in the middle is to confirm.

5.Preparation

- 1).Install two AA batteries.
- 2).Install this controller on the hot-shoe of the camera.
- 3).Turn on the power, and the power indicator light will light.
- 4).Communication mode (RF602/RF603) setup: Long press [Hz/FN] button, the screen will display the current communication mode of the transceiver this controller is compatible with. The communication mode can be set as RF602 or RF603. Press [OK] button to save and exit.

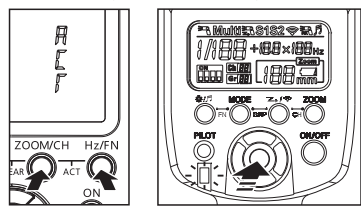


- 5).Channel setup: Long press [ZOOM/CH] button, when the channel and simulative channel switch on the LCD blink, set this controller and the flash in the same channel. When use this controller with RF602/RF603/RF603II transceiver, the channel switch state of the transceiver should be set into the same as the simulative channel switch.



6. Activate Group Function of YN560 III

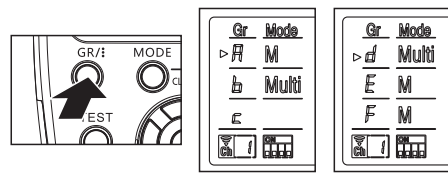
- 1).**Set communication mode and channel:** Set YN560 III as RX slave flash mode, and set its communication mode (RF602/RF603)and channel same as YN560-TX.
- 2).**Activate group function of the flash:** Press [ZOOM/CH] button and [Hz/FN] button on the controller simultaneously, the controller will display ACT (ACTIVATE); when the display screen of the flash displays as shown in the picture, press [OK] button on the flash, the group function of YN560 III will be activated.
- 3).**Set flash groups:** Press [MODE] button and [TRIG MODE] button on the flash simultaneously to set the flash groups (A-F).



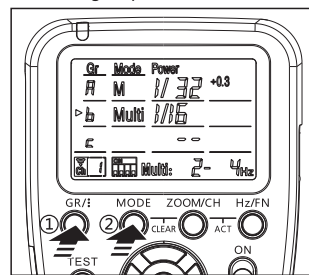
- After group function of YN560III is activated, the display screen of the flash will synchronously display the parameter which is set on the corresponding group of the controller.

7.Set Group and Flash Mode

- 1). Long pressing [GR/:] button to switch the page of A/B/C group or the page of D/E/F group.



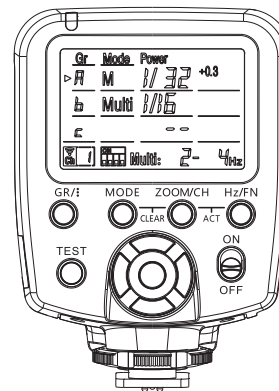
- 2). Short pressing [GR/:] button: ①select groups, then press [MODE] button; ② the flash mode will be switched between M, Multi or - - (- - means flash is disabled of the group).



8. Set Flash Output of the Current Group

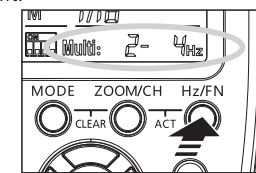
- M mode:** Adjust the flash output of the current group from 1/128 to 1/1 by pressing [RIGHT] button or [LEFT] button; fine tune the flash output (+0.3, +0.7) by pressing [UP] button or [DOWN] button.

- Multi Mode:** Adjustment range of flash output is 1/128-1/4.



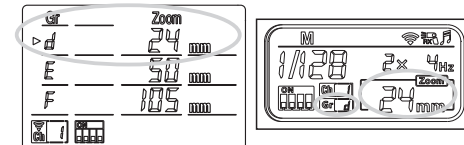
9.Multi Flash Frequency & Flash Count

In Multi mode, short press [Hz/FN] button to select and set multi flash frequency and multi flash count.



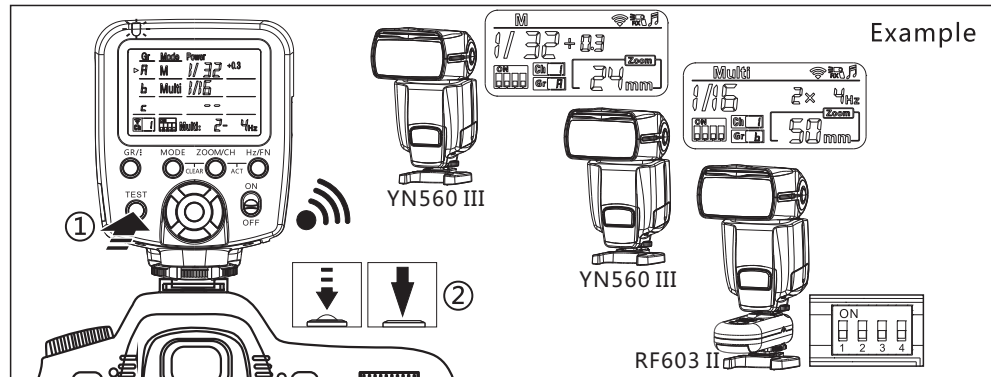
10. Set Zoom for Each Group

Enter the zoom setup mode by short pressing [ZOOM/CH] button (setting range is 24-105MM), then save the settings and exit by short pressing [ZOOM/CH] button or [OK] button.



11.Wireless Triggering Function

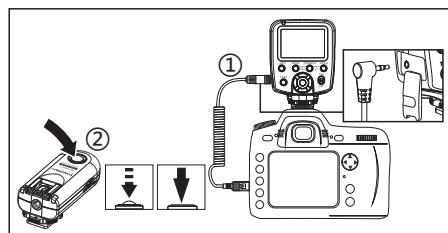
- 1). **Test flash** Press [TEST] button on this controller to test flash.
 - 2). **Shoot with YN560-TX(Wireless Triggering)** When half pressing shutter release button on the camera, this controller will give a wake-up signal, the signal indicator light of this controller turns green and the signal indicator light of the flash turns blue. When full pressing shutter release button on the camera, Yn560 III will flash according to the mode (flash output) set on YN560-TX controller and the signal indicator lights of this controller and the flash turn red; when triggering RF602/RF603/RF603II, the flash output should be adjusted manually on the flash.
- The settings displayed on the flash are subject to the final settings set on the flash or this controller.



12.Wireless Shutter Receiver Function

This controller supports using RF603/RF603 II transceiver which set in the same channel to wireless remote control shutter.

- 1).As shown in the picture, connect this controller to the camera shutter socket with a shutter cable(LS-2.5 series).
- 2).The camera will focus when you half press the multifunction button on the transceiver in hands, and the focusing indicator light will light (green); the camera will shoot when you full press the multifunction button, and the shutter indicator light will light (red).



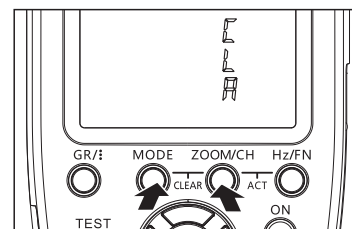
- Flash on the transceiver can be triggered synchronously.
- RF603 II should be set in "TRX" state.

13.Troubleshooting Guide

- 1.**The flash can't be triggered.**
 - 1).Check if the communication mode of this controller is set into the same mode as the flash (transceiver).
 - 2).Check if the channel of this controller is set into the same channel as the flash (transceiver).
2. **The flash groups of YN560 III can't be set.** Re-activate the flash group of YN560 III with YN560-TX.

14.Restore Factory Settings

Press [MODE] button and [ZOOM/CH] button simultaneously till CLA (CLEAR) appeared on the display screen to restore factory settings of this controller.



15.Specification

Product Type: FSK 2.4G wireless controller
Distance: 100M
Wireless Channel: 16
Flash Mode: M/Multi
Group Control: A/B/C/D/E/F
Zoom Range: 24-105MM
Shutter Interface: 2.5mm shutter interface
Battery Type: AA*2
Stand-by Time: 120 hours
Dimensions: 70mm*97.5mm*43mm
Net Weight: 98g

The functions of this manual are based on test conditions of our company. Further notice will not be given if the design and specifications change.

The YONGNUO logo in this manual includes the registered trademark or trademark of SHENZHEN YONGNUO PHOTOGRAPHY EQUIPMENT Co., Ltd in China or/and other countries (regions). All other trademarks are the property of their respective owners.